

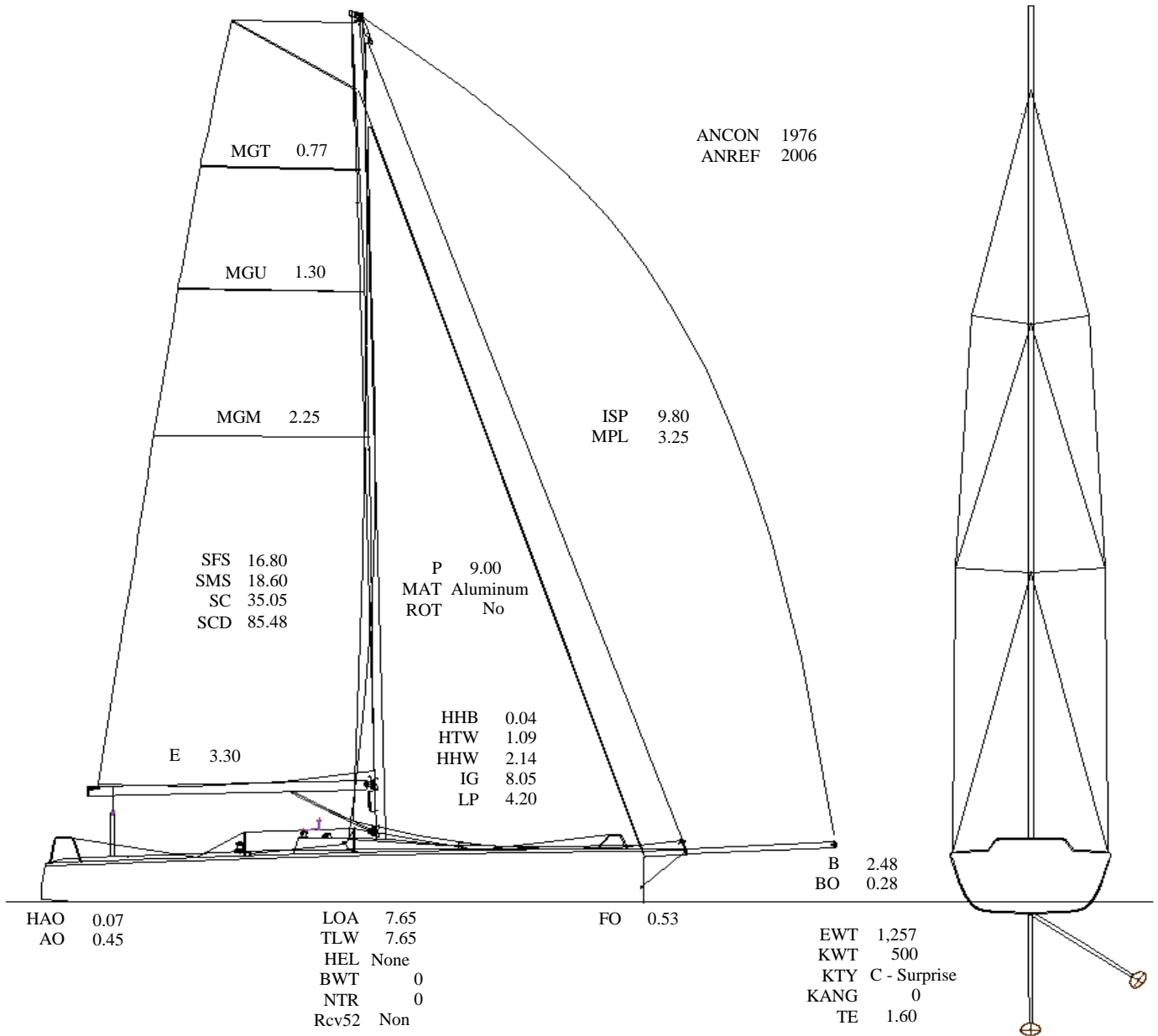
SRS Rating Certificate : 982

Printed on: 24.04.2024
Valid thru: 31.03.2025



Name Mamma Mia
Sail N° SUI 702
Boat Type Surprise
Measured by SRS Serie
Registration/CIN GE 19209
Insurance NATIONALE SUISSE
Owner CERN Yachting Club
Email club-yachting-committee@cern.ch
Phonenumber(s) 0041798167890 / 0041798167890
Region ACVL
Club/Licence YCC / 44855

SRS	1.000
SRS solo	1.030
SRS duo	1.023
SRS High	1.111
CCR	317



Remarks:

Classes:	A	B	C	D	E	F	G
System	TCF3	TR6	LB	R2	B	-	R2