

SRS Rating Certificate : 395

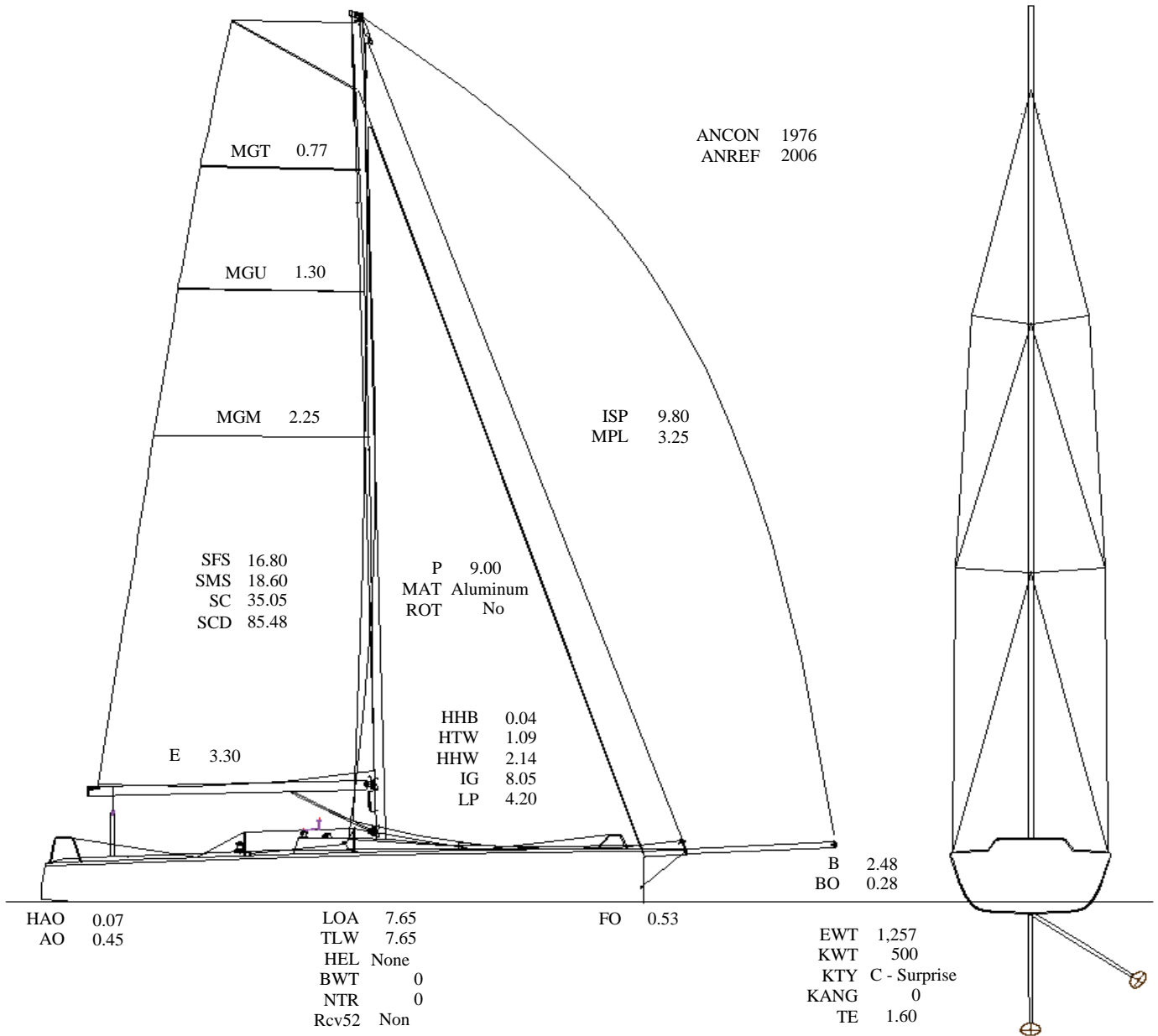
Printed on: 09.06.2024

Valid thru: 31.03.2025



Name Mic Mac
Sail N° SUI 230
 Boat Type Surprise
 Measured by SRS Serie
 Registration/CIN GE 14297
 Insurance Nationale Suisse
 Owner CERN Yachting Club
 Email club-yachting-committee@cern.ch
 Phonenummer(s) 0041798167890 / 0041798167890
 Region ACVL
Club/Licence YCC / 44855

SRS	1.000
SRS solo	1.030
SRS duo	1.023
SRS High	1.111
CCR	317



Remarks:

Classes:	A	B	C	D	E	F	G
System	TCF3	TR6	LB	R2	B	-	R2