

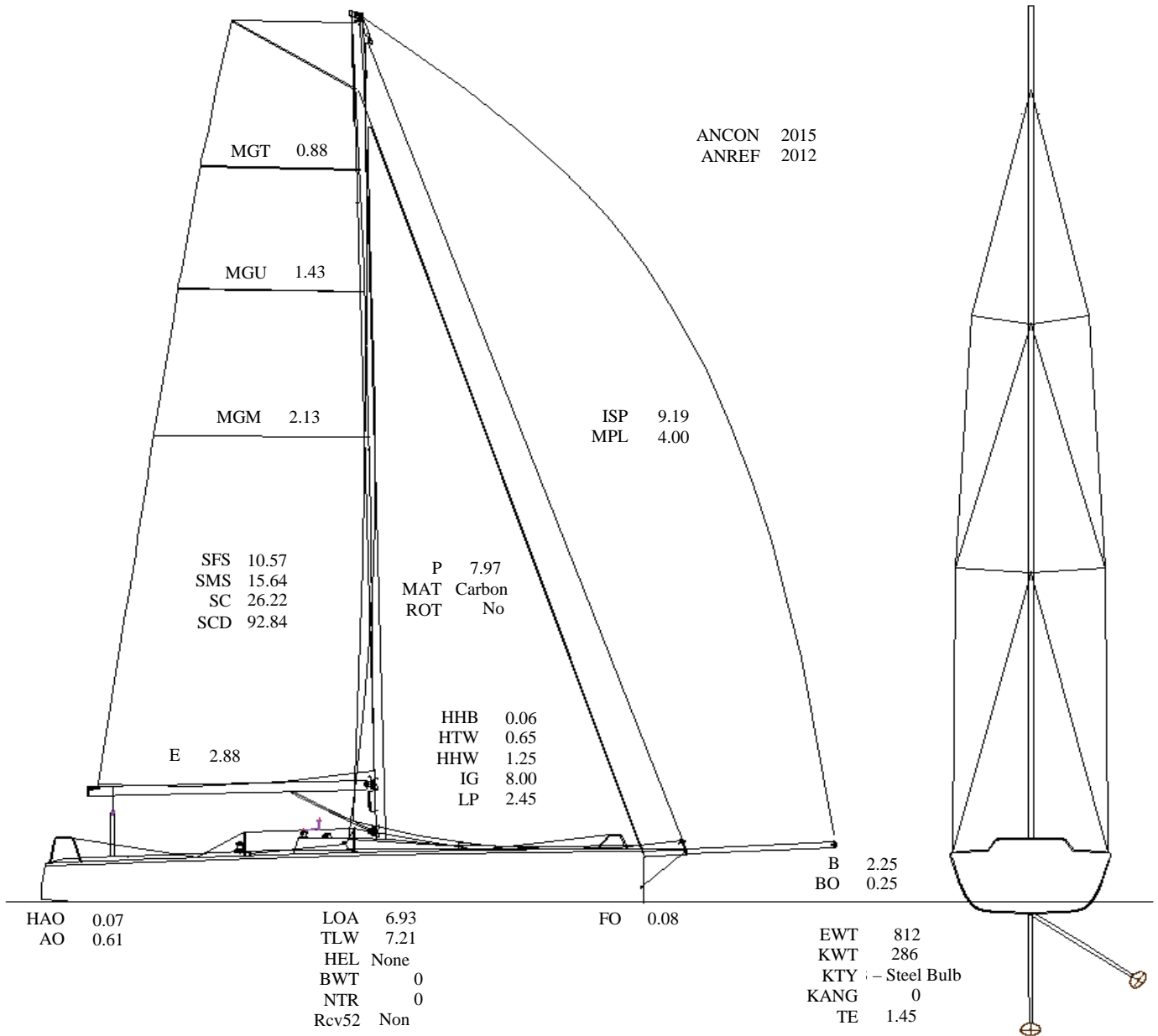
SRS Rating Certificate : 2314

Printed on: 24.04.2024
Valid thru: 31.03.2025



Name *Padawan*
Sail N° SUI 1375
 Boat Type J/70
 Measured by SRS Serie
 Registration/CIN GE21579
 Insurance Helvetia
 Owner CERN Yachting Club
 Email club-yachting-committee@cern.ch
 Phonenummer(s) 0041798167890 / 0041798167890
 Region ACVL
Club/Licence YCC / 44855

SRS	0.987
SRS solo	1.026
SRS duo	1.016
SRS High	1.100
CCR	313



Remarks:

Classes:	A	B	C	D	E	F	G
System	TCF4	TR6	LA	R2	B	-	CR