

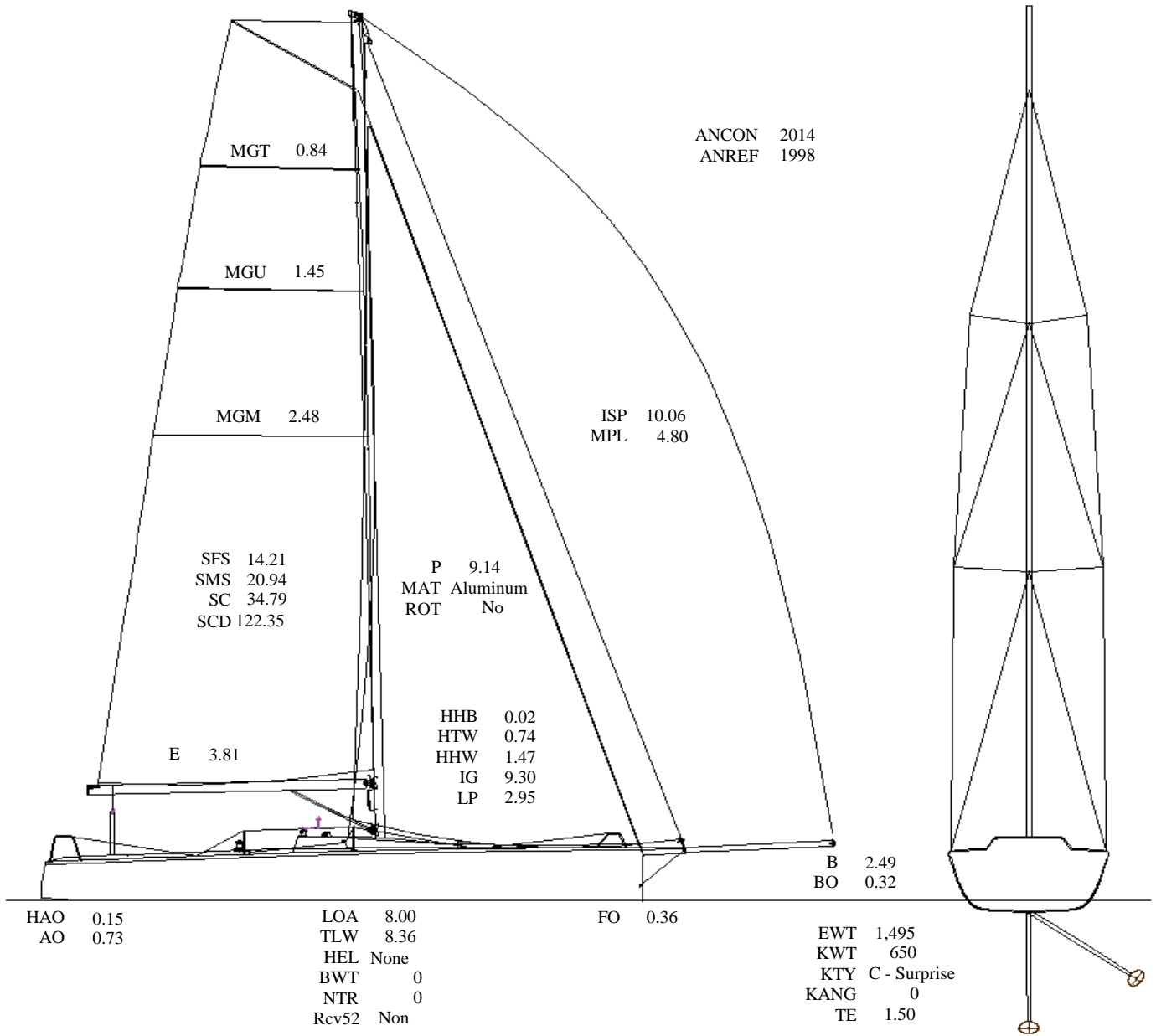
SRS Rating Certificate : 1788

Printed on: 24.04.2024
Valid thru: 31.03.2025



Name Jedi
Sail N° SUI 1523
 Boat Type J/80
 Measured by - Self-measured -
 Registration/CIN GE20406
 Insurance Nationale Suisse
 Owner CERN Yachting Club
 Email club-yachting-committee@cern.ch
 Phonenummer(s) 0041798167890 / 0041798167890
 Region ACVL
Club/Licence YCC / 44855

SRS	1.003
SRS solo	1.029
SRS duo	1.024
SRS High	1.129
CCR	304



Remarks:
foc de jauge

Classes:	A	B	C	D	E	F	G
System	TCF3	TR6	LB	R2	A	-	CR