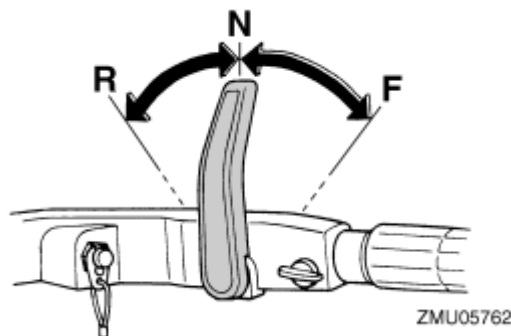


Short instructions on the use of YCC's Zodiac Cadet360 Alu "Baby Duck" GE21825

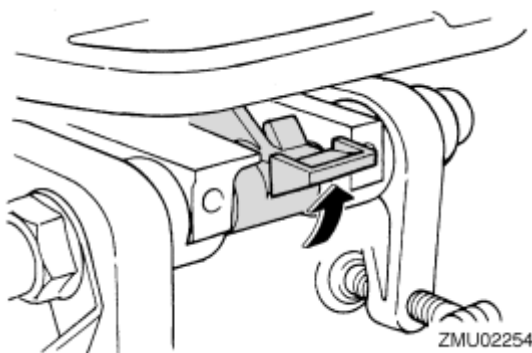
Max. registered persons: 6 (provided corresponding life jackets are present)

Notes compiled by Michał Kwiatek in June 2021.

- Zodiac Cadet360 alu with the Yamaha F8 engine (8HP) requires a motor licence if you live in France and does not require a motor licence if you are a resident of Switzerland.
- It is registered for up to 6 people (but currently there is only one life-jacket on board, so crew must bring their own life jacket, or borrow one from another YCC boat)
- Air pressure in the floatation tubes must be adjusted with the air pump on-board (small foot-pump on board in the bow locker, bigger pump with a pressure gauge stored in a back net bag in the Regatta Box) at the beginning (first in the day) and the end of each outing (last in the day):
 - The correct pressure at the start of an outing is 3.4 psi or 240 mb (0.2 bar) .
 - Warning: if the pump has a pressure gauge, note that this value is near the low end of the dial range... If no pressure gauge is present on the pump, the pressure is correct if the cones at the rear of the tubes are stiff and you should not be able to bend them by hand;
 - There are three air valves, for three separate air chambers
- At the end of an outing (last in the day), reduce the pressure in the three chambers until they become softer but still hold their shapes; the corresponding pressure should allow you to press your thumb 2-3 cm on the tubes, and correspond to less than about 3 psi or 210 mb.
- There are no navigation lights, so the boat can only be used after sunset if you bring a light visible round the horizon (360 degrees)
- The Yamaha F8 engine:
 - does not have a fuel switch,
 - has the gear lever integrated in the the steering handle:



- has the tilt lock below between the two screws that attach the engine to the boat:



- Yamaha F8 engine operations manual: <https://drive.google.com/file/d/18v729FoWSW9YWVJSVcd5qiyM3Q-3-1Qd/view?usp=sharing>
- When sailing in and out of its place on the water (and before sliding in and out of the water from land), the engine needs to be lifted so that it does not touch concrete in this shallow place
- When the boat is pushed into the water or pulled out of the water, it must be held by two people (one on either side) and lifted so that the rub against the protective carpet installed on shore is minimal,
- The plug (just below the engine) is taken out when the boat is on land and needs to be put back in before the boat is put into the water
- When water comes into the boat when sailing under engine, the easiest way to empty the water out is to remove the plug and go fast - the water will then be sucked out. When the water is out, the plug needs to be put back in.
- It is the driver's responsibility to refill gasoline tanks (main and spare, unleaded 95), then get reimbursed via an expense form.
- Required equipment must be checked at each outing. Any item missing or broken must be reported to: ycc-maintenance-motorboats@cern.ch.
- The driver must fill-in the electronic log as for every YCC boat.
- There is no battery; the boat is started by getting into the neutral gear, optionally engaging choke and pulling on the start handle.
- The boat must be covered when leaving to protect them from rain and UV.
- List of safety equipment (stored on board in the front locker)-- in French - Equipement obligatoire pour Zodiac Cadet360 Alu, selon OCV, 25.03.2021:
 - Ecope ou seau
 - Klaxon ou corne
 - Pavillon de détresse (couleur rouge, dimension minimum 60x60 cm)
 - Gaffe
 - Rames ou pagaie (pour autant que le bateau puisse être ainsi gouverné)
 - Ancre avec corde ou chaîne (3 longueurs de bateau, mais 20m au moins)
 - Cordages (appropriés au poids et à la longueur du bateau)
 - 1 gilet avec col de sauvetage, pour toute personne se trouvant à bord (poussée hydrostatique de 7.5 kg au
 - moins) Article 134 ONI. Enfants de moins de 12 ans, gilet de sauvetage à leur taille.